



## DESCRIPTION

The Model CD148 is a low cost Carrier Demodulator Plug-in Module for the MC1 Modular System. It is used to demodulate the output of linear variable differential transformers. When excited by the 5 volt 3 kHz carrier in the MC1 Module Case, the CD148 will produce a  $\pm 10$  Vdc signal from LVDT transducers with outputs between 200 and 1000 mV/V. The standard frequency response for the Model CD148 is 0 to 200 Hz with less than 10 mV of ripple on the 10 Vdc output.

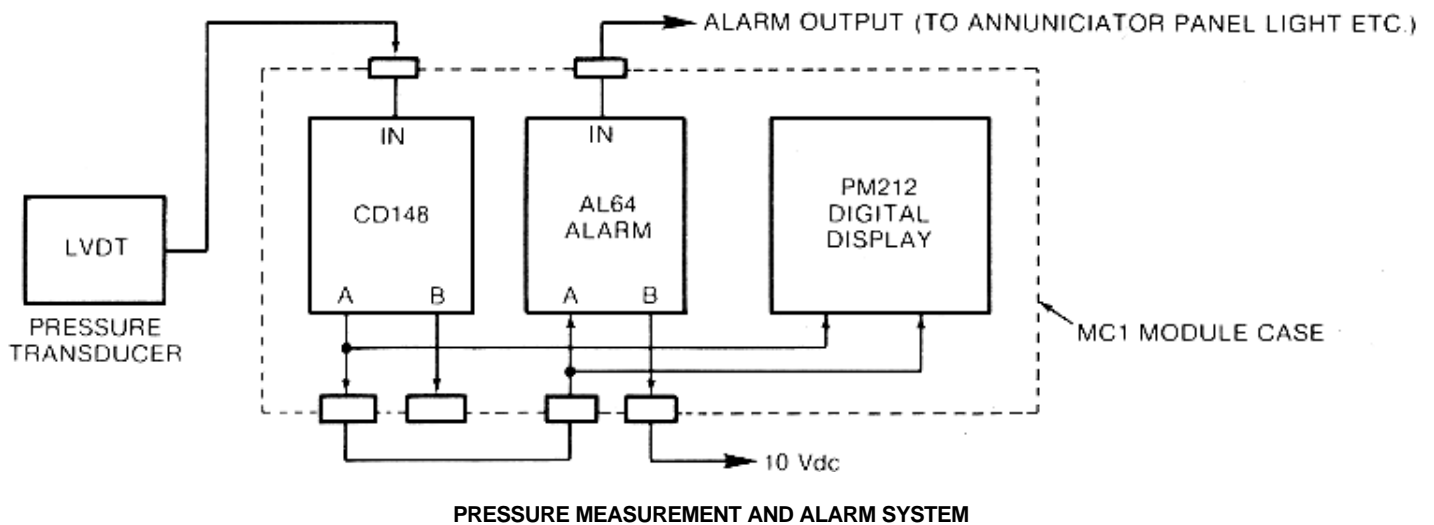
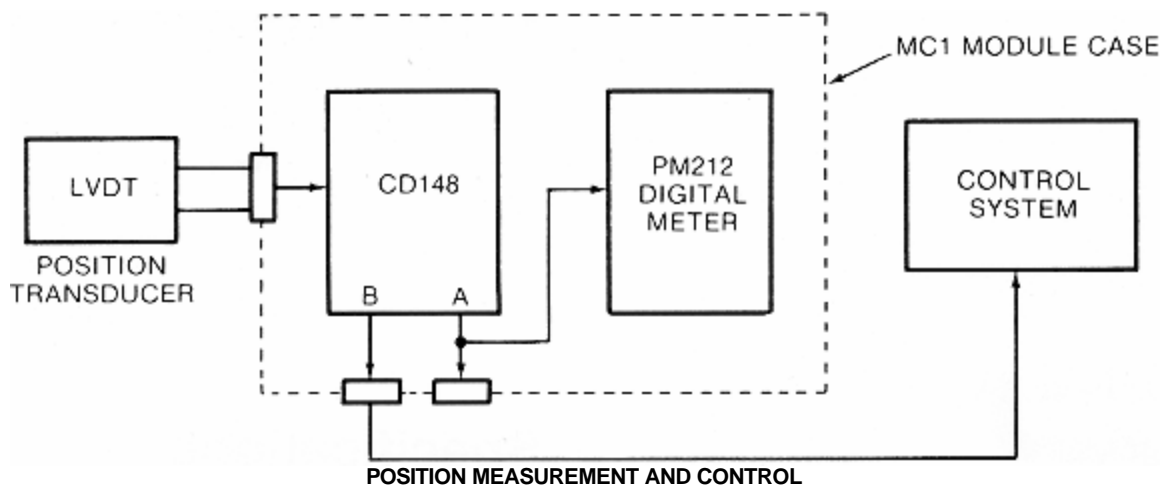
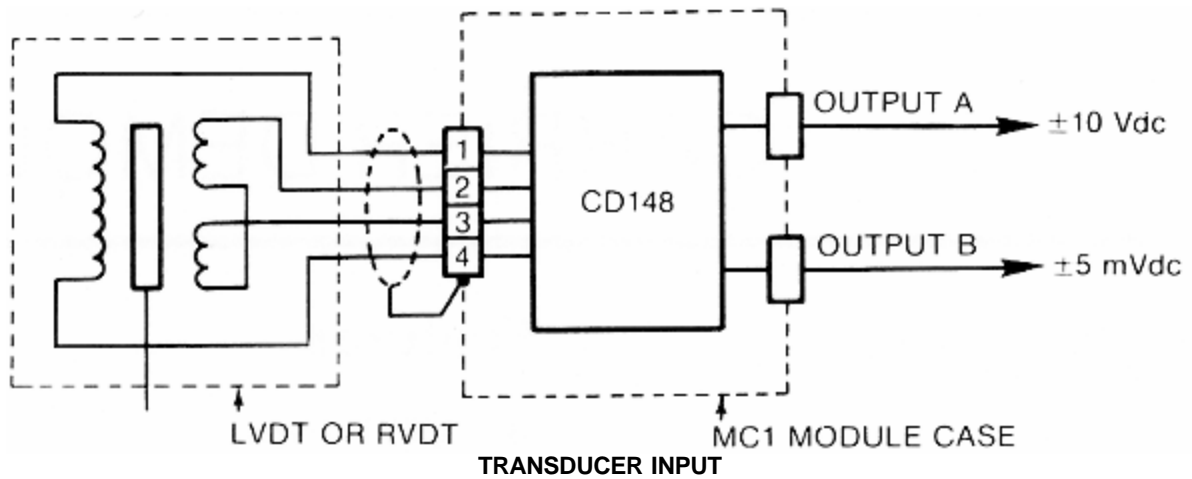
## Features

- LVDT Input
- $\pm 10$  Volt Output
- 3 kHz Carrier Operation
- Wide-Range Zero and Span Controls

## Specifications

<b>Input Sensitivity:</b>	200 mV/V to 1000 mV/V for 10 Vdc output
<b>Bridge Excitation:</b>	5 Vrms, 3 kHz from a precision center-tapped transformed.
<b>Bridge Configuration:</b>	LVDT
<b>Input Impedance:</b>	Less than 100 kohms.
<b>Zero Control:</b>	$\pm 125$ mV/V
<b>Output A:</b>	$\pm 10$ Vdc at 10 mA.
<b>Output B:</b>	$\pm 10$ Vdc at 10mA.
<b>Output Impedance:</b>	Less than 10 ohms.
<b>Frequency Response:</b>	DC to 200 Hz flat $\pm 10\%$
<b>Linearity:</b>	$\pm 0.05\%$ FS maximum.
<b>Temperature Range:</b>	0°F to 160°F
<b>Thermal Zero Shift:</b>	0.005% FS/°F
<b>Thermal Sensitivity Shift:</b>	0.01%/°F
<b>Power Requirements:</b>	5 Vrms, 3 kHz & $\pm 15$ Vdc supplied from MC1 module Case.

## TYPICAL APPLICATIONS



### Accessories

P/N 7616-2 Plug-in Module Connection Extender

Specifications subject to change without notice.



8626 Wilbur Avenue - Northridge, CA 91324-4498  
 (818) 886-2057 - FAX (818) 886-6512  
<http://www.validyne.com> - e-mail to sales@validyne.com