



ALL WELDED CONSTRUCTION

Features

- Six-Position Gain Switch
- Single or Double AC Integrator Capability
- Switch-Selectable Low-Pass Filter
- Single or Differential Input (AC or DC)

DESCRIPTION

The AM49 Linear/Integration Amplifier is a general multipurpose plug-in module for use in the Validyne MC1 System. The unit is capable of operation in six modes.

In both the single-ended inverting or noninverting modes and the differential input mode, either AC or DC signals may be applied for linear amplifier applications; for example, driving high frequency galvanometers.

Internal controls are provided for single or double integration of AC signals. In these modes, such applications as vibration amplitudes from velocity and acceleration transducers are accomplished.

Overall gains of 2.5, 5, 10, 25, 50 and 100 times are obtained by a six-position gain switch. Additionally, the gain may be varied from zero to 100% at each setting with a 10-turn calibrated control.

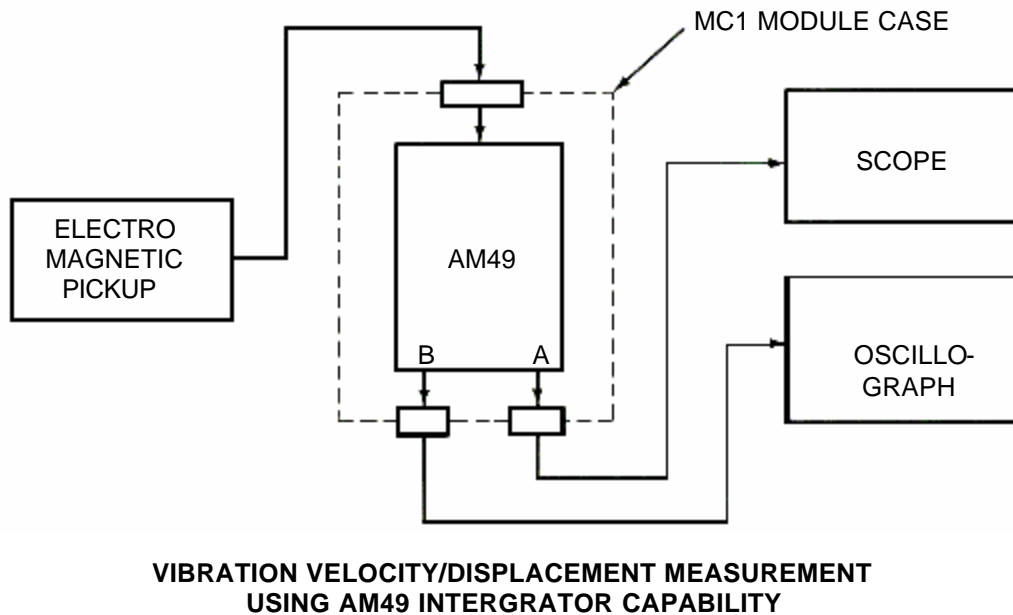
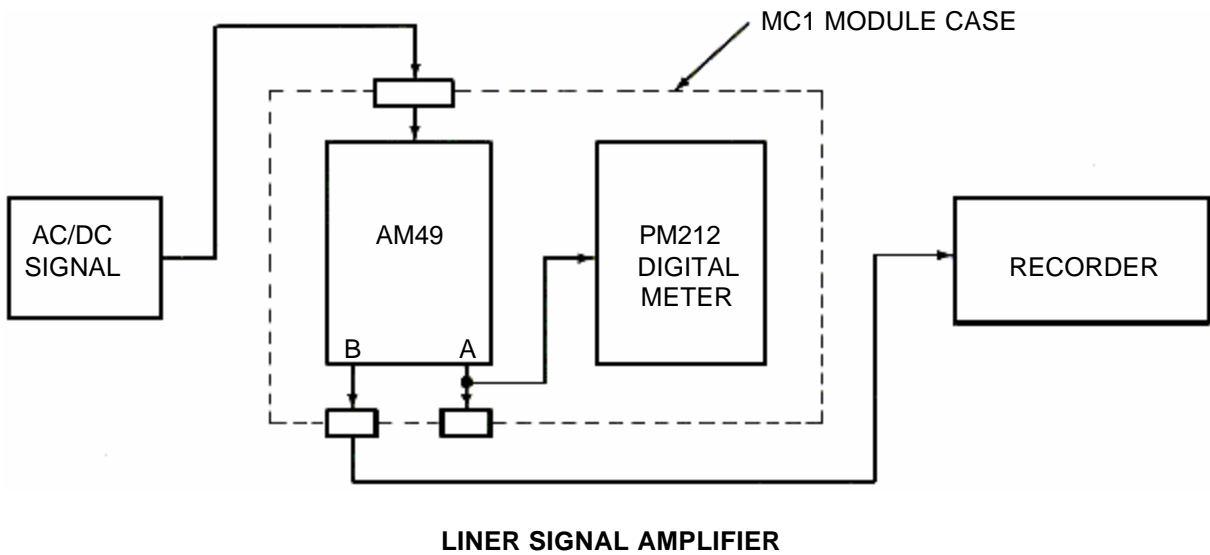
Four front panel selectable low-pass filter ranges are provided: 50 Hz, 200 Hz, 1000 Hz and 5000 Hz.

Front panel calibration plus and minus test points are provided for the insertion of known calibration input signals. This enables the unit to be calibrated without its being removed from the module case.

Specifications

| | |
|--------------------------------|--|
| Input: | ± 100 mV to ± 4 V (with gain of 100 to 2.5) |
| Gain Setting: | 2.5, 5, 10, 25, 50, 100 times |
| Attenuation: | 0 to 100% by 10 turn potentiometer and calibrated dial |
| Input Impedance: | 2 megohms differential 1 megohm (+) input 2 megohms (-) input |
| Common Mode Rejection: | 50 dB |
| Maximum Input: | ± 10 Vdc common mode; ± 100 Vdc, either side to ground, without damage |
| Output A: | ± 10 Vdc open circuit, 100 mA max; B: ± 10 Vdc (connected to A) |
| Output Impedance: | A: 50 ohms; B: 50 ohms |
| Frequency Response: | 0 to 5 kHz dc; 2 Hz 2kHz ac |
| Drift: | Typically less than 25 microvolts per °F referenced to input |
| Low Pass Filter Ranges: | 0 to 50, 0 to 200, 0 to 1000 and 0 to 5000 Hz switch selectable |
| Power Requirements: | ± 15 Vdc from MC1 module case |

TYPICAL APPLICATIONS



Accessories

P/N 7616-2 Plug-In Module Connector Extender



8626 Wilbur Avenue - Northridge, CA 91324-4498
(818) 886-2057 - FAX (818) 886-6512
<http://www.validyne.com> - e-mail to sales@validyne.com