

Features

- Wet-Wet Capability
- Full Scale Range from ± 50 to 10,000 psi
- Static Line Pressures up to 12,500 psi with 3% FS Max. Line Pressure Effect
- Wide Dynamic Response Range
- Sensor Diaphragms are Field Replaceable
- High Natural Frequency

DESCRIPTION

The Validyne Model DP360 is designed to measure small differential pressures at extremely high static line pressures or extremely high gage or differential pressure.

The DP360 can be calibrated for a full scale as low as ± 50 psid while withstanding high static line pressure. Low differential pressure may be measured at static pressures as high as 12,500 psig with a maximum 3% FS zero shift error.

Full scale pressure ranges up to 10,000 psi are available for the DP360 and field-replaceable sensing diaphragms allow the user to change ranges in the field.

Take-apart construction facilitates cleaning and all surface exposed to the pressure media are 410 stainless steel, Inconel, and diaphragm O-Ring material. Fast response to dynamic pressure volumetric displacement and high natural frequency of the DP360.

Several options are available, including Nickel or Gold plating and a wide variety of O-Ring material. See "Ordering Information" on the other side.

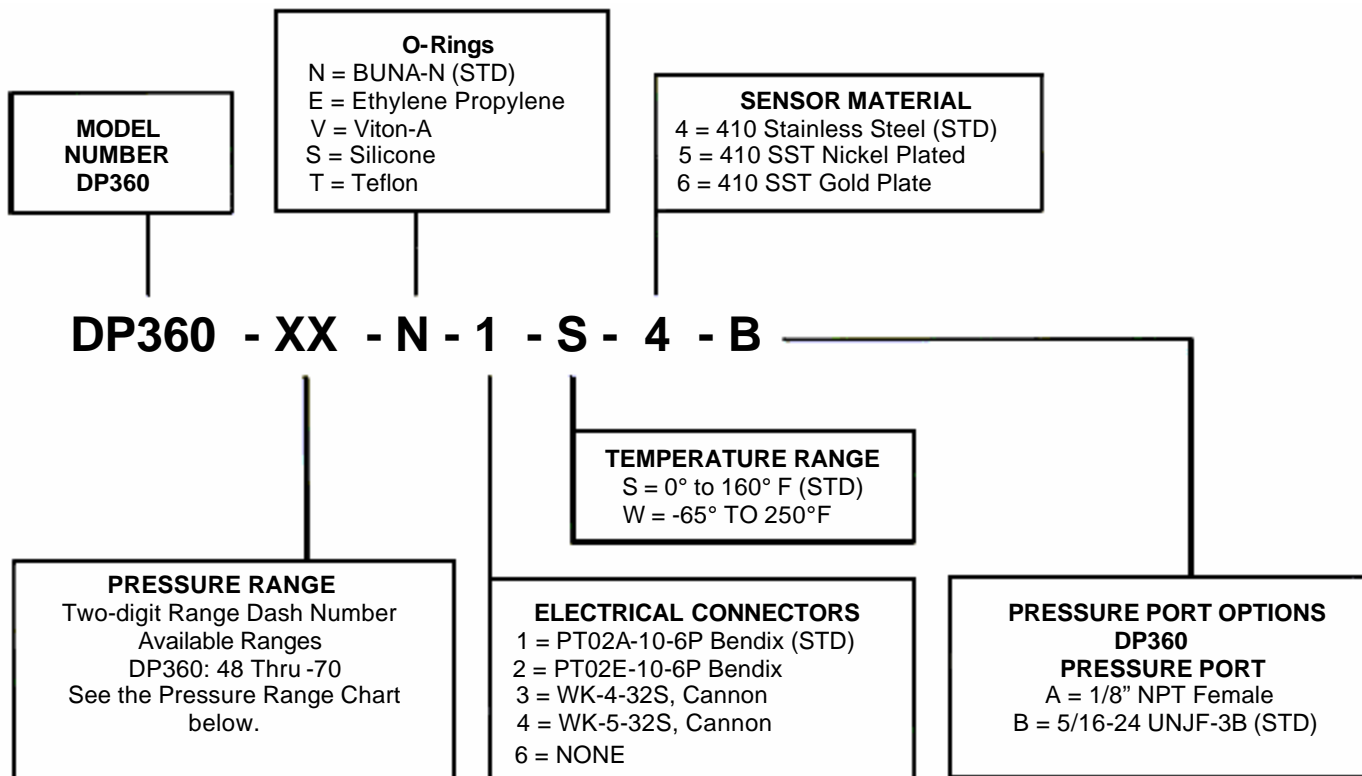
Specifications

Full Scale Ranges:	± 50 to $\pm 10,000$ psid
Available Ranges:	48 THRU -70
Accuracy:	$\pm 0.5\%$ FS (includes non-linearity, and non-repeatability). ($\pm 1.0\%$ FS above 5000 psid)
Case Materials:	410SST
Over Pressure:	200% FS for 0.5% FS output shift (12,5000 psid maximum)
Maximum Line Pressure & Error:	12,500 psig 1% FS/1000 psi 3% maximum.
Thermal Zero Shift:	1%FS/100°F
Pressure Ports:	5/16-24 UNJF-3B with 8-32 Bleed Screw
Aprox. Weight:	12 ounces
Aprox. Size:	1 $\frac{3}{4}$ " x 1 $\frac{3}{4}$ " x 1 $\frac{1}{4}$ "

The DP360 is Ideal for:

- Level Measurements
- Hydraulic Systems
- Vehicle Testing

Ordering Information to order, specify part number as follows:



Pressure Range Chart

RANGE DASH NO.	PSI	IN HG	IN H ₂ O	KPA	TORR	CM H ₂ O
48	80	160	2220	550	4140	5600
50	125	250	3800	860	6500	8800
52	200	410	5500	1400	10300	14000
54	320	650	9000	2200	16500	22500
56	500	1020	14000	3500	25800	35000
58	800	1600	22200	5500	41400	56000
60	1250	2500	3500	8600	65000	88000
62	2000	4100	55000	14000	103000	140000
64	3200	6500	90000	22000	165000	225000
66	5000	1200	140000	35000	258000	350000
68	8000	16000	222000	55000	414000	560000
70	12500	25000	350000	86000	650000	880000

How to Use the Pressure Range Chart

First, select the appropriate engineering units desired (PSI, IN HG, IN H₂O, KPA, TORR, or CM H₂O). Find the desired full scale pressure range in this column. Then, note the corresponding **Range Dash Number** in far left column. When ordering, use this number to specify the "XX" in the part number (See "Ordering Information").

Example: To obtain a 1,000 PSI transducer, select a - 60 Range Dash Number. This Transducer may be calibrated from 0 PSI to any full scale pressure range between 800 and 1250 PSI, including 0 to 1000 psi.

To order replacement diaphragms, specify P/N II-XX where XX is the range code between 11-48:11-70.



8626 Wilbur Avenue - Northridge, CA 91324-4498
(818) 886-2057 - FAX (818) 886-6512
<http://www.validyne.com> - e-mail to sales@validyne.com